

2G & 3G Cell Phone Detector

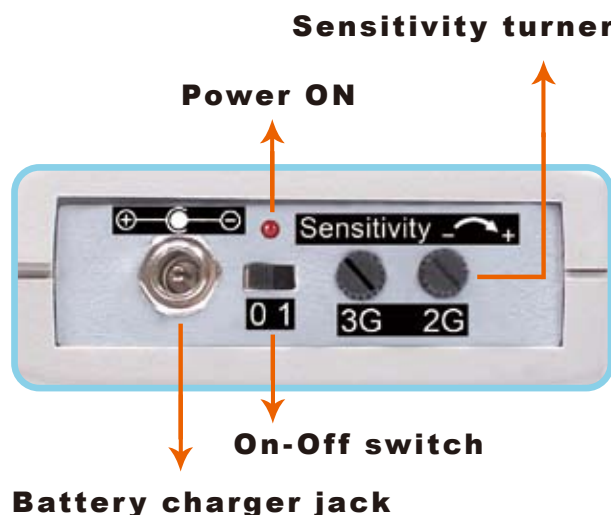
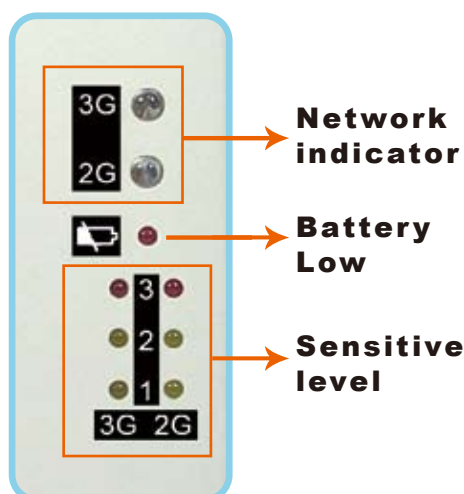
This new portable cell phone detector is made for detecting 2G & 3G cell phones (all current generations and all networks) communication in a place. This device is made in handheld design which is small enough to hold in the hand.

The device has a user friendly interface having a visible display of detection and signal strength with sufficient indications to locate the close proximity of the cell phone in use.

This device has network indication (LED) of 2G & 3G individually to show the type of detected signal.

This device has sensitivity tuner for 2G & 3G individually for adjusting the sensitivity and the detection distance.

The device has its own internal battery power which allows this device to be operated for 6 hours without charge. When battery power runs down, the battery low warning indication will light up in red to warn the user.



2G & 3G Cell Phone Detector

● Alarm indications

This device has the following alarm indications:

- Power on
- Low battery
- Mobile phone activity detected with a visible signal strength indicator

● Specially designed for easy and simple use, which does not require complicated installation or any professional knowledge.

● Sensitivity adjustment

There are two sensitivity tuners in the bottom side, marked with 2G & 3G for adjust the detection benchmark (signal measure standard) of 2G & 3G detection individually.

Turn the sensitivity tuner to - (minus) side to decrease the sensitivity and the detecting distance will be shorter. Turn the sensitivity tuner to + (plus) side to increase the sensitivity and the detecting distance will be longer.

● Features

1. Superior sensitivity: This device can detect 3G (WCDMA) and GSM signals up to 20 meters.
2. 100% legal use in all the world.
3. Full series of different models available for different country or area with its networks, including 3G (WCDMA, UMTS), GSM, DCS, PDC, TDMA, PHS, PCS, iDEN, etc.

2G & 3G Cell Phone Detector

● Applications

1. Military, government premises and prison.
2. School, Office, factory and commercial premises.
3. Hospital, medical center or intensive care unit.
4. Restaurant, cinema, theater, concert, museum or art gallery.

● Audible alarm and silent detection

This device has a silent switch at the upper of left side. Press down the switch is audible mode, raise up the switch is silent mode.



● Specification

Power	1. Built-in rechargeable battery 2. Switching power adaptor
Power consumption	About 130mA on standby mode
Detecting frequency band	1. 2G: GSM 2. 3G: WCDMA (UMTS)
Dimension	L 150 x W 80 x T 30 mm
Weight	About 310 g
Warning mode	1. Visible and audible alarm 2. Visible alarm and silent 3. Silent, earphone output
Operation temperature	0 - 40 centigrade
Humidity	5% ~ 80%