

# PMD2

## VERY HIGH PERFORMANCE MULTI-ZONE METAL DETECTOR

- **Very High Threat Detection Uniformity** over the whole transit area
- **Very High Tolerance to personal metal items** (Low Nuisance Alarm Rate)
- **Exceptional Immunity** to Environmental Interference
- **Highly Visible Displays** - Single or Multiple Location of weapons in transit via vertical illuminated display
- Fast programming through an exclusive **Chip Card System**
- **Local or Remote Programming** with networking capabilities



CHIP CARD SYSTEM:  
AUTOMATIC CALIBRATION  
OF SECURITY STANDARDS



AVAILABLE IN PANEL  
OR COLUMN VERSION

### ADVANCED TECHNOLOGY FOR ENHANCED WEAPONS LOCATION

PMD2, acronym for Programmable Metal Detector, is **the most advanced CEIA application with an international patent of its own**. It generates an electromagnetic scanning field for the detection of metallic weapons inside a monitored passage.

Due to this technology, the PMD2 Metal Detector accurately pinpoints location of weapons on individuals during transit resulting in accelerated search process. ▶

# PMD2 VERY HIGH PERFORMANCE MULTI-ZONE METAL DETECTOR

A "height on person" display actually indicates, by means of illuminated LED's, the position of the weapon. The location zones are not fixed, as in the case of metal detectors with multiple receiver-transmitter coils, but variable and continuous to achieve optimum resolution.

The PMD2 Metal Detector is **recommended for use in all high security applications where the maximum degree of protection is required**, combined with a substantial flow of people and

the minimum number of alarms due to personal metal items.

The PMD2 is **available in panel (PMD2/PTZ) or column (PMD2/ENZ) version**. An outdoor column version, PMD2/EWZ, is offered with an IP65 degree of protection. The PMD2 is manufactured using **the most advanced electronics technology**, conforming to ISO 9001 Quality Control Standard procedures.

## MAIN FEATURES

**DETECTION OF MAGNETIC, NON-MAGNETIC AND MIXED ALLOY METAL WEAPONS**

**HIGH TRANSIT FLOW-RATE** thanks to the discrimination of personal metal items

**IMMEDIATE SELECTION OF INTERNATIONAL SECURITY STANDARDS**

**PROGRAMMABLE OPERATION** controlled by microprocessor

**PROGRAMMING** via built-in keypad and display or RS-232 serial connection to Remote Control Unit (RCU2), a PC or a computer network

**PROGRAMMING ACCESS** protected by both a mechanical lock and two alphanumeric passwords

**HIGH DETECTION SPEED:** up to 15 m/s (45 ft/s)

**EXCEPTIONAL IMMUNITY** to electromagnetic and mechanical interference

**MULTIPLE INSTALLATIONS:** automatic synchronisation between two or more metal detectors with a reciprocal distance of down to 5 cm (2") without the use of cables

**HIGH-INTEGRATION PROFESSIONAL ELECTRONICS** and maximum reliability

**CONTROL UNIT** incorporated into the detector

**NO INITIAL OR PERIODIC CALIBRATION**

**EASY MAINTENANCE:** modular control unit for a rapid replacement

Colour: light grey RAL 7040

## INSTALLATION DATA

**POWER SUPPLY:** 115 / 230 VAC, ±15%, 50 ÷ 60 Hz, 30 VA max

**EXTERNAL INTERFACE:** RS-232C for connection to a Remote Control Unit (RCU2), a terminal, a computer, an external modem or other CEIA Metal Detectors

**PROTECTION DEGREE** Indoor Model: IP20 - IEC529

Outdoor Model: IP65 - IEC529

**OPERATING TEMPERATURE:** -20°C to +70°C

**STORAGE TEMPERATURE:** -35°C to +70°C

**RELATIVE HUMIDITY:** 0 to 95% (without condensation)

## ALARM MODES

**VISIBLE SIGNALS** Multi-zone display bar for "height on person" localization

High intensity display

Green and red metering signals proportional to the mass of the object detected

**AUDIBLE SIGNALS** High acoustic intensity alarm signal

Volume and tone of alarm signal can be programmed

## CERTIFICATION AND CONFORMITY

Complies with Regulations relating to pacemakers, defibrillators or other vital support systems, pregnant women and magnetic storage media (floppy disks, audio cassettes, video cassettes and similar)

Conforms to the current International Security Standards for Walk-Through Metal Detectors

Complies with EC Regulations and International Standards relating to Electrical Safety and Electromagnetic Compatibility (EMC)

## ACCESSORIES / OPTIONS

**CHIP CARD SYSTEM:** automatic calibration of Security Levels

**RCU2:** the console provides complete remote control of CEIA Walk-Through Metal Detector functions



**MDNC-1:** Ethernet network interface for CEIA Metal Detectors

**MBSU-1 Unit** is a portable device designed to supply CEIA Metal Detectors in outdoor applications or in situations where mains power supply is unavailable



**METAL DETECTOR DIVESTING TABLE**



**RRU (Remote Relay Unit)**

**PHOTOCELL TRANSIT COUNTER** and automatic alarm rate calculation



**OUTDOOR VERSION,** waterproof degree IP65

**EMERGENCY BATTERIES**

**MD SCOPE:** software for oscilloscope simulation and terminal operation on CEIA MDs

**STABILIZING PLATES** (only for column models)



**TRANSPORT CASE FOR CEIA ELLIPTIC METAL DETECTOR GATE**



## UNDER THE ALARM THRESHOLD

Small metal mass  
Medium metal mass

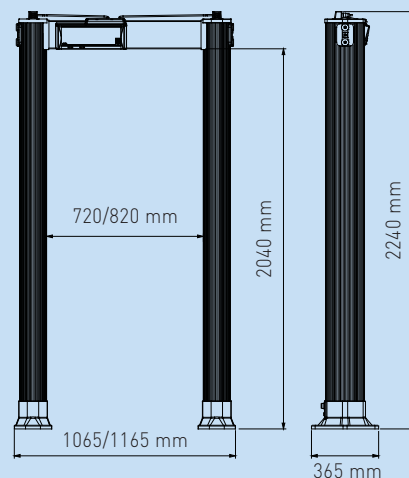
## OVER THE ALARM THRESHOLD

Medium metal mass  
Large metal mass

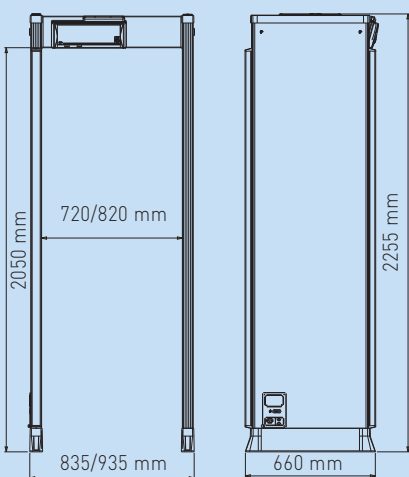
GREEN AND RED METERING SIGNALS PROPORTIONAL TO THE METAL MASS DETECTED

## DIMENSIONS

### COLUMN MODEL (PMD2/ENZ - PMD2/EWZ)



### PANEL MODEL (PMD2/PTZ)



## APPLICATION FIELDS

- AMUSEMENT PARKS
- COURTS
- CRUISE SHIPS
- DATA PROCESSING CENTERS (EDP)
- EMBASSIES
- HOTELS
- INDUSTRY (SECURITY)
- NIGHT CLUBS
- NUCLEAR FACILITIES (SECURITY)
- PUBLIC EVENTS
- PUBLIC OFFICES